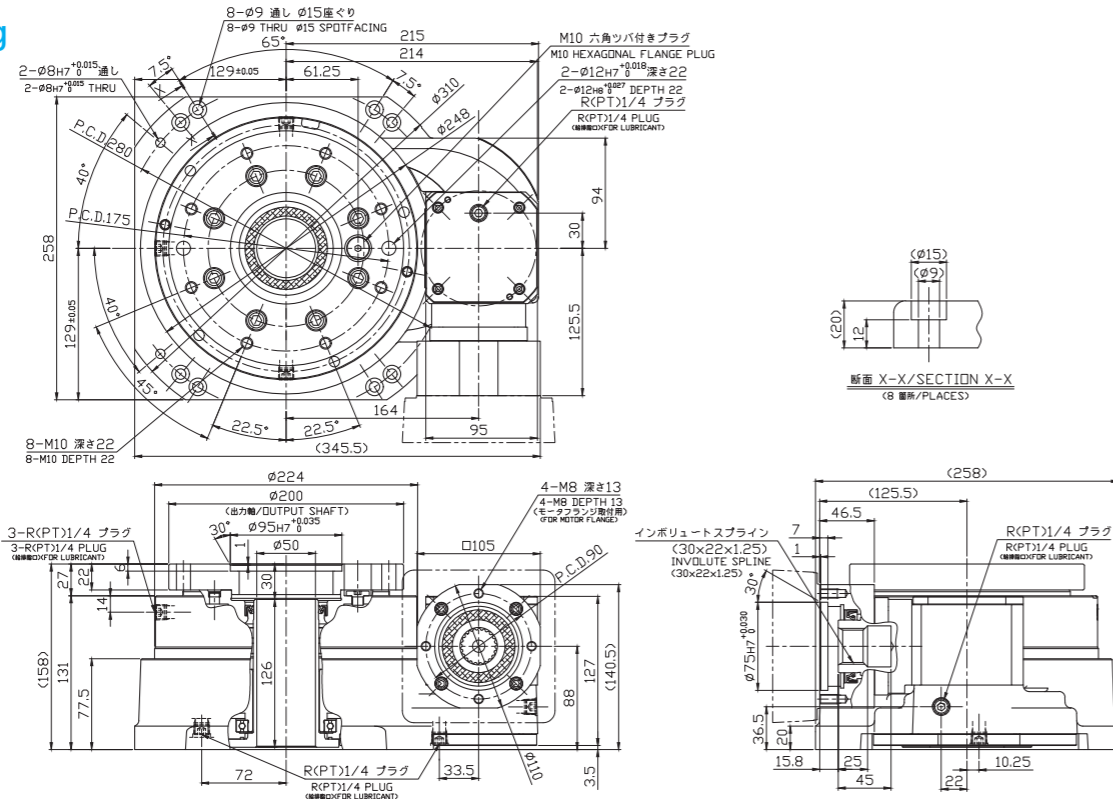
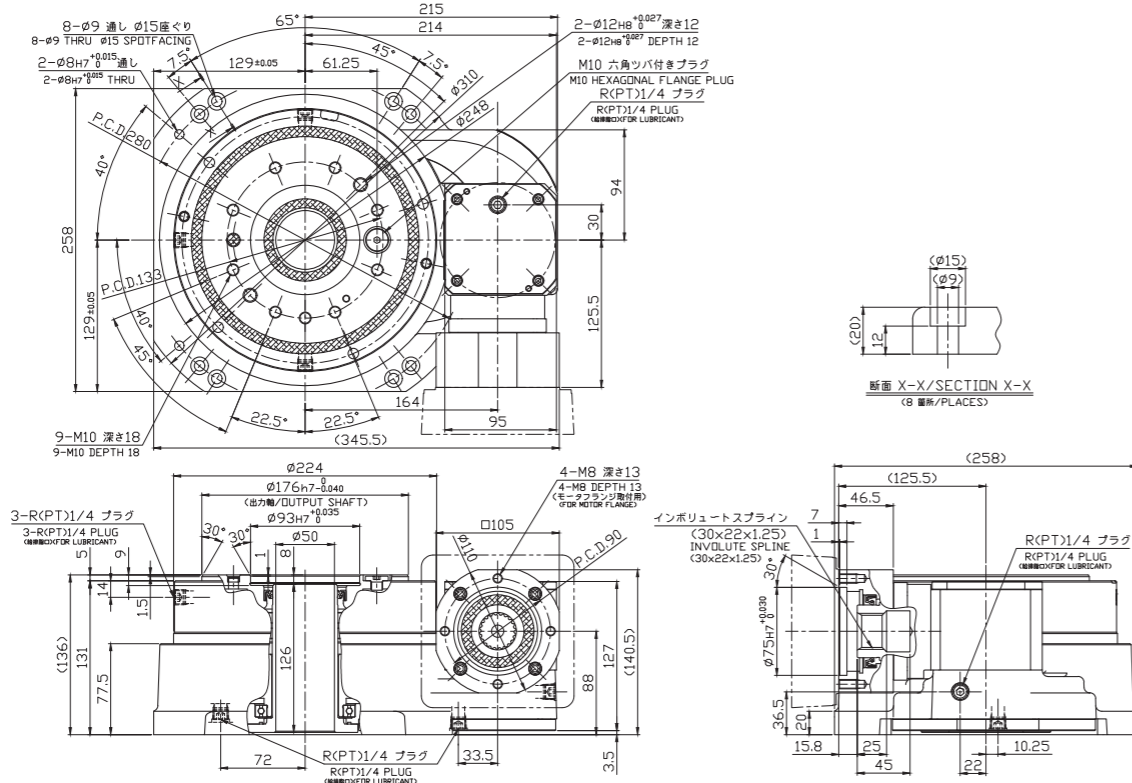


Outline Drawing

With
output flange



Without
output flange



Nabtesco

Nabtesco Corporation

<https://precision.nabtesco.com/>

- Nabtesco, RV and RVP are registered trademarks or trademarks of Nabtesco Corporation.
- Specifications are subject to change without notice.
- Unauthorized reprinting, reproduction, copying, or translation of this catalog in whole or in part is strictly prohibited.

©2019 Nabtesco Corporation All rights reserved

CAT.190826-Rev.001 (Issued on August 26, 2019)



Europe and Africa

Nabtesco Precision Europe GmbH (Düsseldorf, Germany)
TEL: +49-211-173790 FAX: +49-211-364677 E-MAIL: info@nabtesco.de

North and South America

Nabtesco Motion Control Inc. (MI, USA)
TEL: +1-248-553-3020 FAX: +1-248-553-3070 E-MAIL: engineer@nabtescomotioncontrol.com

India

Nabtesco India Private Limited (Bangalore, India)
TEL: +91-80-4123-4901 FAX: +91-80-4123-4903

Asia and others

Nabtesco Corporation (Japan)
Nagoya Office
TEL: +81-52-582-2981 FAX: +81-52-582-2987

Customer Support Center
TEL: +81-59-237-4672 FAX: +81-59-237-4697

E-MAIL: P_Information@nabtesco.com



RV[®]

Precision Reduction Gear RV[™]

Turntable Gearhead

RS-50A

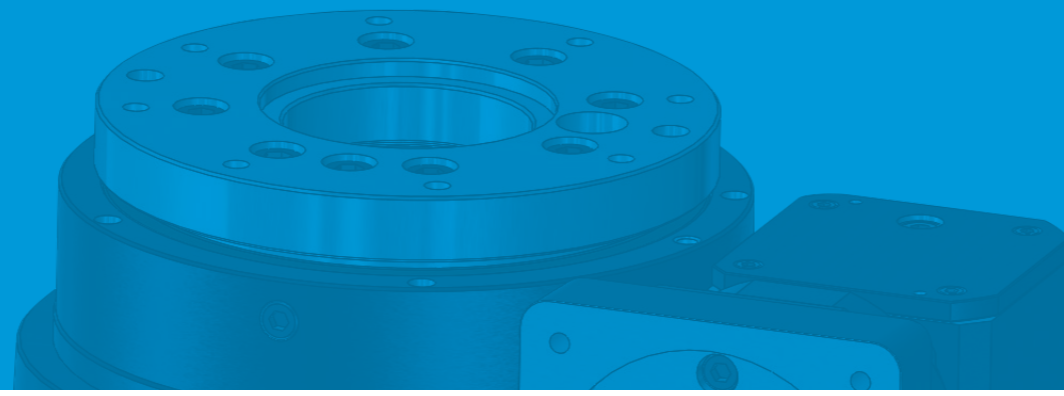
New
Product



The newest addition to the RS series,
perfectly suited for index tables :
RS-50A, capable of high speed rotation,
and with a max allowable load of 1,500 kg

Nabtesco

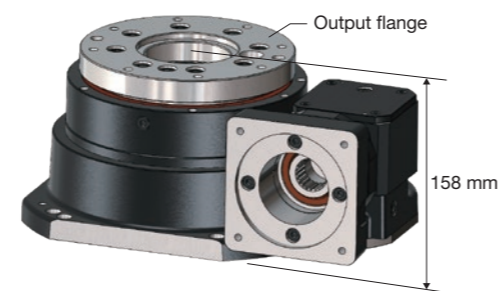
RS-50A



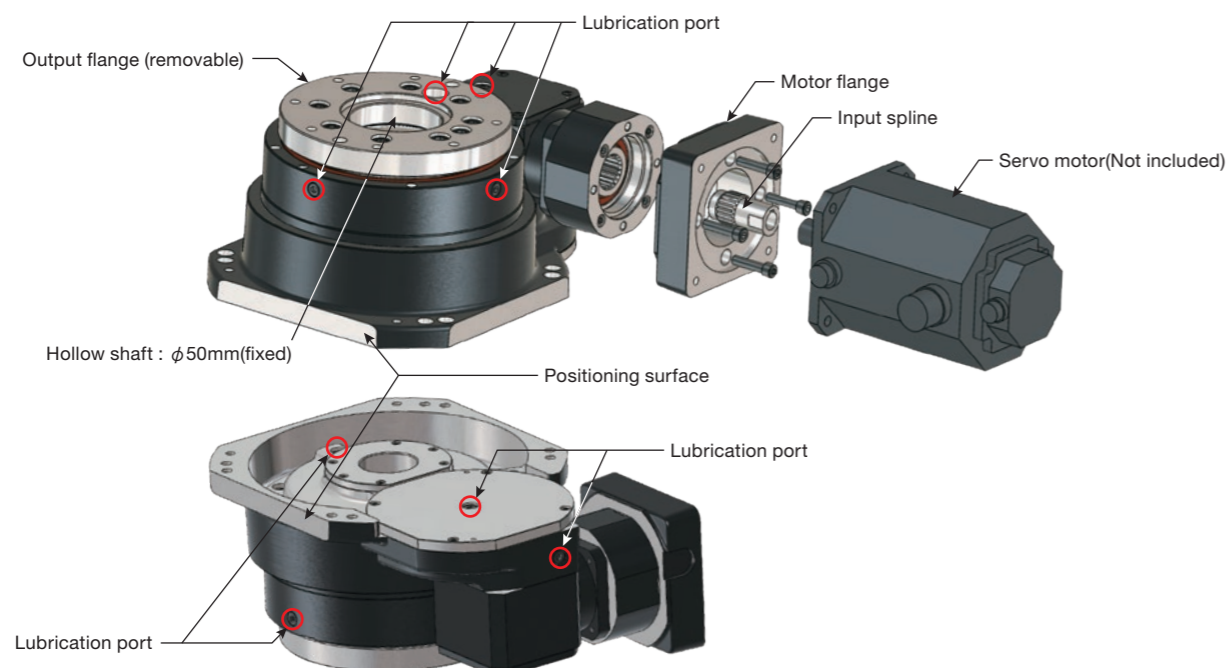
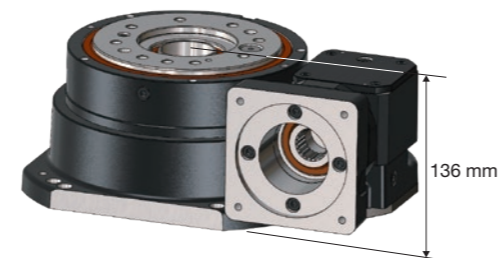
Features

- **A gearhead utilizing the industrial robot industry-proven Precision Reduction Gear RV™**
High accuracy, rigidity, and reliability
- **Shorten cycle times with high speed rotation**
High speed indexing (180° in 0.7 sec, with 10kgm² moment of inertia)
- **Compact size reduces total height of machine**
Distance from base to output flange : 136mm
- **Hollow shaft for wiring**
φ50mm hollow shaft diameter
- **Compatible with all major servo motors**
Support for different manufacturers mounting pattern and shaft shape
- **2 models available: with or without output flange**
Selectable in accordance with the customer's equipment
- **Pre-lubricated**
Sealed and filled with optimal amount of oil (RV OIL SB150), allowing for easy installation and set-up
- **Easy oil changing**
Ports located on all faces

【With output flange】... Height : 158 mm

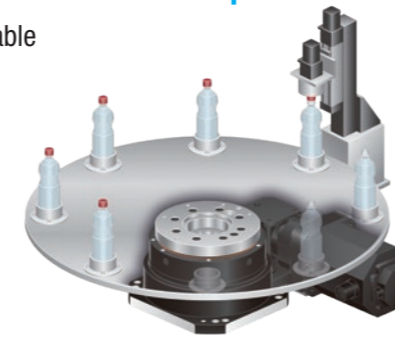


【Without output flange】... Height : 136 mm

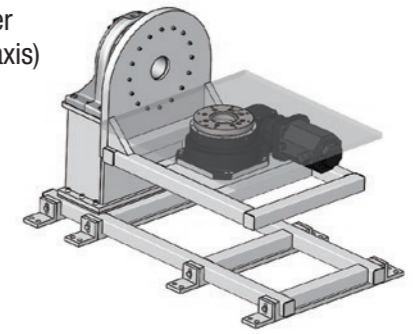


Application Examples

Index table



Positioner
(Rotary axis)

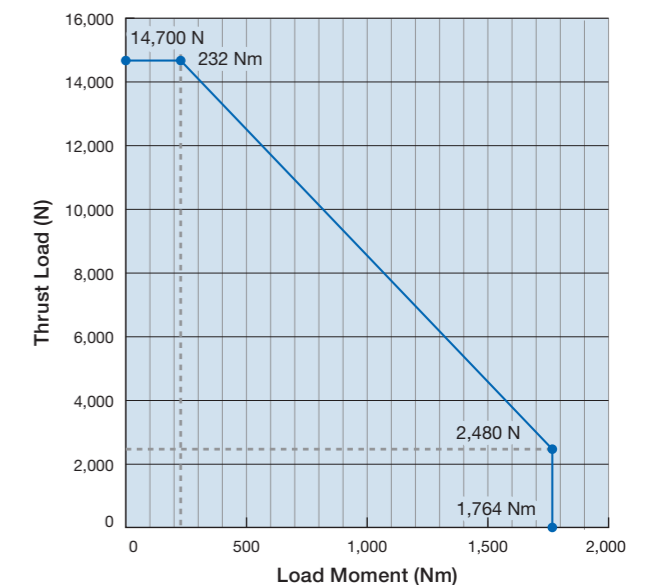


Specification Table

Model	RS-50A
Maximum allowable load	1,500 kg
Hollow shaft diameter	φ50 mm
Rated torque	490 Nm
Allowable startup/stop torque	1,225 Nm
Momentary maximum allowable torque	2,450 Nm
Rated output speed	15 rpm
Allowable output speed*1	60 rpm
Allowable moment	1,764 Nm
Momentary maximum allowable moment	3,528 Nm
Positioning accuracy*3	60 arc.sec.
Repeatability (Reference value)	±5 arc.sec.
	Dia. 500 mm ±0.012 mm
Reduction ratio	65.4, 130.8, 163.5
Operation range (rotation)	Endless*2
Weight (Not including motor flange and input spline)	40 kg

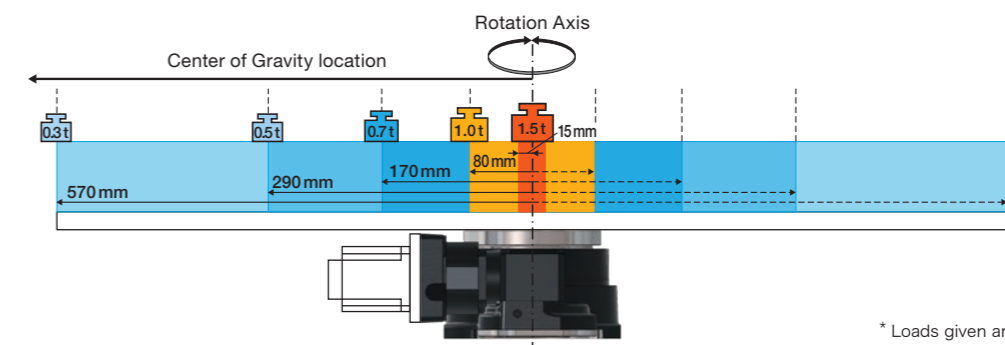
- *1 The allowable output speed may be limited by operating rate.
Make sure the surface temperature of the reudction gear does not exceed 60°C during use.
- *2 The operation range may be limited by the motor.
- *3 The measurement system complies with JIS B 6192.

Allowable Moment Diagram



*In an application subject to both a load force and a moment load at the same time, please make sure to use the product within the allowable moment range listed in the diagram above.

Center of Gravity Height and Allowable Load Range



* Loads given are reference values.